



Starrett®

**PRECISION, QUALITY, INNOVATION
SINCE 1880**

Metrology
PROMO 11.2



IP67 Electronic Calipers

- IP67 level of protection against coolant, water, dirt and dust
- Hardened stainless steel measuring surfaces for long life
- Fine adjustment
- Large easy-to-read display
- Heavy-duty bar and slide, 3.5mm thick
- Resolution: .0005" (0.01mm)
- Non output



**NEW
Every Day
Low Price!**

Cat No.	EDP	Range	Description	List	Sale
798A-6/150	20798	0-6" (0-150mm)	w/o Output	\$184.00	
798A-8/200	20799	0-8" (0-200mm)	w/o Output	234.00	
798A-12/300	20800	0-12" (0-300mm)	w/o Output	349.00	

Electronic Calipers

- Hardened stainless steel body
 - Fine adjustment thumb wheel
 - Zero at any position
 - Inch/mm conversion
 - Resolution: .0005" (0.01mm)
- Long Range Calipers**
- Preset and hold feature
 - Max/Min limits set
 - I.D. is 0.800"/20.32mm
 - Auto shut-off after 30 minutes of nonuse



Cat No.	EDP	Range	List	Sale
799A-6/150	67410	0-6" (0-150mm)	\$147.00	\$124.95
799A-8/200	67412	0-8" (0-200mm)	208.00	176.80
799A-12/300	67621	0-12" (0-300mm)	310.00	263.50
799AZ-24/600	11978	0-24" (0-600mm)	699.00	629.10
799AZ-40/1000	11979	0-40" (0-1000mm)	1,403.00	1,262.70

Electronic Depth Gage

- Large easy-to-read display
- Hardened, stainless steel bar and slide
- Fine adjustment thumb roll
- Slide lock
- Inch/millimeter conversion
- Zero at any position
- Linear Accuracy: ±.001" (± 0.03mm)
- Resolution: .0005" (0.01mm)



Cat No.	EDP	Range	List	Sale
3753A-6/150	12258	0-6" (0-150mm)	\$253.00	\$215.05
3753A-8/200	12259	0-8" (200mm)	264.00	224.40
3753A-12/300	12260	0-12" (0-300mm)	320.00	272.00

Electronic Depth Gage

- Hardened stainless construction
- Coolant resistant
- RS232 data transmission port
- CR2032 lithium battery will provide over a year of life with normal use
- Protective wooden case
- Resolution: 0.0005"/0.01mm
- Includes offset attachment



Cat No.	EDP	Range	List	Sale
5004BZ-16/400	14584	0-16" (0-400mm)	1,078.00	\$970.20
5004BZ-24/600	14586	0-24" (0-600mm)	1,360.00	1,224.00

Electronic Indicators

- Simple, powerful, easy-to-use
- Large, easy-to-read LCD
- Reverse travel
- Zero at any position
- Lug-on-center back plus additional flat back
- 3/8" diameter stem
- 4-48 spindle thread



Cat No.	EDP	Range	Resolution	AGD	List	Sale
3600-5	68813	.500" (12.7mm)	.0005" (0.01mm)	AGD-2	\$158.00	\$142.20
3600M-5	68918	1" (25mm)		AGD-3	158.00	142.20

Wisdom® Electronic Indicators

- Glass scale with accuracy of ± two resolutions
- Inch/mm conversion, plus or minus travel direction, maximum reading hold, zero at any position, auto-off after 10 minutes of nonuse
- RS232 output



Cat No.	EDP	Range	Resolution	AGD	List	Sale
2710-1	65811	.250" (6mm)	.0001" (0.002mm)	AGD-2	\$544.00	\$489.60
2710-3	65813		.0005" (0.01mm)		526.00	473.40
2720-0	65815	.600" (15mm)	.00005" (0.001mm)	AGD-2	589.00	530.10
2720-1	65816		.0001" (0.002mm)		544.00	489.60
2730-0	65819	1.0" (25mm)	.00005" (0.001mm)	AGD-3	620.00	558.00
2730-1	65820		.0001" (0.002mm)		572.00	514.80
2740-1	65824	2.0" (50mm)	.0001" (0.002mm)	rectangular	936.00	842.40
2740-3	65825		.0005" (0.01mm)		895.00	805.50
2750-1	65827	4.0" (100mm)	.0001" (0.002mm)	rectangular	1,403.00	1,262.70
2750-4	65829		.001" (0.02mm)		1,350.00	1,215.00

Electronic Groove Calipers

- Coolant resistant
- RS-232 output
- Protective wooden case
- mm/inch mode button
- On/Off button
- Titanium coated stainless steel outside measurement jaws
- Hold Feature will freeze the display when in REF I or REF II mode
- Two preset modes, REF I and REF II, allow a master setting and a zero setting



Cat No.	EDP	Range	List	Sale
5006BZ-14/350	14589	Inside 1.654-15", 42-381mm Outside 0-12.5", 0-318mm	\$997.00	\$897.30

IP67 Electronic Outside Micrometers

- IP67 level of protection against coolant, water, dirt and dust
- Balanced, tapered frame and hard, stable one piece spindle
- Zero tool at any position – retain and return to true zero
- Micro-lapped carbide measuring faces
- Large, easy-to-read LCD readout



**NEW
Every Day
Low Price!**

Cat No.	EDP	Range	Description	List	Sale
796XFL-1	67828	0-1" (0-25mm)		\$153.00	
796XFL-2	69081	1-2" (25-50mm)	Friction Thimble, With Carbide	210.00	210.00
796XFL-3	69082	2-3" (50-75mm)	Faces, Without Output	275.00	275.00
796XFL-4	69083	3-4" (75-100mm)		296.00	296.00

Electronic Outside Micrometers

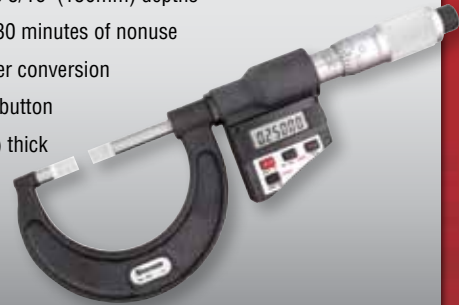
- Extremely hard and stable one-piece spindle
- Micro-lapped carbide measuring faces
- Instant inch/millimeter conversion
- Ability to zero tool at any position
- Measurement HOLD button



Cat No.	EDP	Range	Resolution	List	Sale
3732XFL-1	12268	0-1" (0-25mm)		\$150.00	\$135.00
3732XFL-2	12269	1-2" (25-50mm)	.00005"(.001mm)	205.00	184.50
3732XFL-3	12270	2-3" (50-75mm)		260.00	234.00
3732XFL-4	12271	3-4" (75-100mm)		290.00	261.00

Electronic Blade Micrometers

- Advanced sleeve design with distinct figures for precise readability
- Non rotating spindle prevents blade from turning
- Blade will measure to 5/16" (150mm) depths
- Automatic OFF after 30 minutes of nonuse
- Instant inch/millimeter conversion
- Measurement HOLD button
- Blade: .030" (0.8mm) thick



Cat No.	EDP	Range	Resolution	List	Sale
786P-1	65225	0-1" (0-25.4mm)	.00005"(.001mm)	\$899.00	\$809.10

Electronic Height Gage

- Large LCD display reads to .0005" or 0.01mm
- Clear bar graduations in .100" and 5mm increments
- Instant inch-millimeter conversion
- Hold feature retains a reading at any position
- Large positive action keypad
- Ability to retain and return to the true zero reading of the height gage



Cat No.	EDP	Range	List	Sale
3752-24/600	68816	0-24" (600mm)	\$1,155.00	\$1,039.50

Electronic Height Gage

- Easy-to-read .32" LCD characters
- Rounded nose scriber cuts clean, sharp lines with smoothness and less pressure
- Lock to hold the slide in position
- Hardened, ground, and lapped base with finger grooves provides ease of movement
- Scriber can reference zero from the bottom of the base
- Inch-millimeter conversion
- Zero at any position
- Manual ON/OFF plus a built in automatic OFF after 5 minutes of nonuse



Cat No.	EDP	Accuracy	Resolution	List	Sale
3751AZ-6/150	12221	±.001" (± 0.02mm)	.0005" (0.01mm)	\$224.00	\$201.60

Starrett

Outside Micrometers

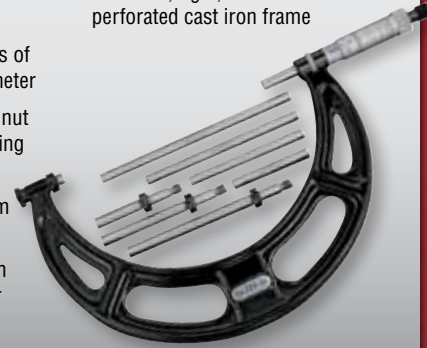
- Accurate, rugged, and easy to use
- Advanced sleeve design with distinct figures for precise readability
- Ring type knurled lock nut
- Ratchet stop
- Starrett satin chrome finish
- Graduation: .001"



Cat No.	EDP	Range	List	Sale
436.1RL-1	67993	0-1"	\$111.00	\$99.90
436.1RL-2	68002	1-2"	127.00	114.30
436.1RL-3	68010	2-3"	157.00	141.30
436.1RL-4	68017	3-4"	178.00	160.20

Interchangeable Anvil Micrometers

- .001" Graduations
- Interchangeable anvils provide a range in steps of 1" with a single micrometer
- Ring-type knurled lock nut for quick and sure locking
- Combination ratchet and speeder for uniform pressure
- Advanced sleeve design with distinct figures for precise readability
- Balanced, rigid, ribbed and perforated cast iron frame



Cat No.	EDP	Range	Standards	List	Sale
224ARLZ	50772	2-6"	2", 3", 4", 5"	\$421.00	\$378.90
224BRLZ	50774	6-9"	6", 7", 8"	559.00	503.10
224CRLZ	50778	9-12"	9", 10", 11"	632.00	568.80

Dial Depth Gage

- Knife-edge base
- Hardened and ground needle point contact
- Conical point can be precisely positioned for close work
- Point is 1/2" (12.7mm) long with a 60° included angle



Cat No.	EDP	Description	List	Sale
643JZ	52714	0-.125" Range, .0005" Grad, 0-25-0 Dial with Case	\$335.00	\$301.50

Dial Indicators

- AGD Group 2
- 2-1/4" dial indicators
- Shockless, hardened steel gear train and jewel bearings
- Lug-on-center backs
- .001" Graduations
- Indicators Furnished with top lift



Cat No.	EDP	Range	Dial Reading	Grad	List	Sale
25-341/5J	53285	.500"	0-50-0		\$127.00	\$114.30
25-341J	53287	1.000"			127.00	114.30
25-441/5J	53293	.500"	0-100	.001"	127.00	114.30
25-441J	53295	1.000"			127.00	114.30

Universal Back Plunger Dial Indicators

- Inch reading
- .001" graduations
- .200" range
- 1/4" shank diameter
- Accurate, reliable, and simple to operate
- Rugged, with few moving parts
- Smooth operating



Cat No.	EDP	Description	List	Sale
196B1	50699	Dial Indicator	119.00	107.10
196A1Z	50697	Dial Indicator with Attachments	\$207.00	\$186.30

Blade Type Depth Micrometer

- Blade type rods approximately .045" thick x 1/8" wide (1.2 x 3.2mm)
- Non rotating blade permits depth measurement of narrow shoulders without the blade rolling off
- Combination ratchet and speeder for uniform pressure and quick adjustment



Cat No.	EDP	Range	Base	Rods	List	Sale
449AZ-3R	52318	0-3"	2-1/2"	3	\$246.00	\$221.40
449AZ-6R	52320	0-6"	2-1/2"	6	299.00	269.10
449BZ-3R	52322	0-3"	4"	3	256.00	230.40
449BZ-6R	52324	0-6"	4"	6	315.00	283.50

Dial Height Gages

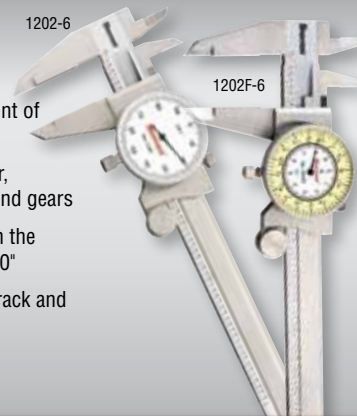
- Dual stainless steel beams
- Zero/reset button located on the digital counter
- Carbide tipped scriber and clamp
- Locking lever
- Hardened and ground base lapped for flatness
- Accuracies:
0 to 8": ±.0010"
>8 to 12": ±.0015"
>12 to 24": ±.0020"



Cat No.	EDP	Range	Description	List	Sale
3259-12	12219	0-12"	Dial Height Gage w/directional digital counters	\$299.00	\$269.00
3259-24	69906	0-24"		599.00	539.00

Dial Calipers

- Quick, accurate measurement of O.D., I.D. and depth
- Hardened stainless steel bar, measuring surfaces, rack, and gears
- Sharp, black graduations on the satin finished bar, every .100"
- 4", 6", and 8" have covered rack and depth rod
- Knife edge contacts



Cat No.	EDP	Range	Description	List	Sale
1202-4	68814	0-4"		\$70.00	\$59.50
1202-6	66964	0-6"	.001" dial graduations	98.00	83.30
1202-8	66979	0-8"	.100" per revolution	139.00	118.15
1202-12	66980	0-12"		202.00	171.70
1202F-6	68931	0-6"	Fractional Dial Caliper 1/64th grads. on yellow scale .01" grads. on white scale	98.00	83.30

Dial Indicators

- Angled head with 1-3/8" (35mm) dial
- Narrow body for inreach ability
- Three dovetail positioning mounts
- Precision gear-driven design with smooth, jeweled movement
- Satin chrome finish and fitted case
- Frictionally adjustable contacts reverse automatically, maintaining clockwise rotation



Cat No.	EDP	Range	Grads	Description	List	Sale
708ACZ	64217	.010"	.0001"	with Attachments	\$319.00	\$287.10

Vernier Calipers

- High quality, basic vernier caliper that offers inch and metric measurement
- Sharp, black graduations on the satin finished bar
- Graduations: .001" inch, 0.020mm metric
- Hardened stainless steel depth rod
- Lock screw for sliding jaw



Cat No.	EDP	Range	List	Sale
125MEA-6/150	61660	0-6" (0-150mm)	\$97.00	\$87.30
125MEA-8/200	61882	0-8" (0-200mm)	114.00	102.60
125MEA-12/300	61886	0-12" (0-300mm)	205.00	184.50

Depth Micrometer

- Ring type lock nut and ratchet stop
- Combination ratchet and speeder for uniform pressure and quick adjustment
- 1/8" diameter rods



Cat No.	EDP	Range	Base	Rods	List	Sale
440Z-3RL	52115	0-3"	2 1/2"	3	\$211.00	\$189.90
440Z-6RL	52119	0-6"	2 1/2"	6	252.00	226.80
440Z-9RL	52123	0-9"	2 1/2"	9	316.00	284.40

Spindle Squares

- Provide for fast and accurate vertical milling machine tramping
- Ground gaging surface
- 3/8" shank diameter
- 4" (100mm) between contact points
- Solid steel body construction with durable black oxide finish
- Fully assembled with two AGD Group 2 dial indicators
- 6-3/4" (172mm) wide and 5-1/2" (140mm) from the top of shank to the tip of the contact points



Cat No.	EDP	Description	List	Sale
649-1	52080	Spindle Square .250" range	\$180.00	\$162.00
649-5	52081	Spindle Square .125" range	190.00	171.00
649-1M	52082	Spindle Square 2.5mm range	190.00	171.00

Starrett®

Solid Rod Inside Micrometer Sets

- Insulated rods marked with length
- Hardened and ground anvils on rods, adjustable for length
- Head anvil is hardened and ground
- Quick-reading figures – every thousandth numbered
- .001" Grads
- Case included w/124AZ, 124BZ & 124CZ



Cat No.	EDP	Range	Screw Movement	Spacing Columns	Measuring Rods	List	Sale
124AZ	50542	2-8"	1/2"	(1) 1/2"	6	\$217.00	\$195.30
124BZ	50546	2-12"	1/2"	(1) 1/2"	10	264.00	237.60
124CZ	50550	8-32"	1"	(1) 1" & (2) 2"	4	480.00	432.00
124D	50552	2-32"	Set of 124A & 124C			600.00	540.00

Magnetic Indicator Bases

- For use with all Starrett test, back-plunger and AGD style dial indicators
- Also for use with similar indicators of other manufacturers
- Powerful, permanent magnetic base holds firmly to steel or iron surfaces
- All bases have precision ground magnetic surfaces



Cat No.	EDP	Description	List	Sale
660	68621	Holder with triple jointed arm	\$114.00	\$96.90
657T	52760	Holder with flexible arm	224.00	201.60

Dial Bore Gages

- Ergonomic design with non-slip insulating grip
- Carbide contacts for extended wear
- 2-point contact
- Resolution: .0005"



Cat No.	EDP	Range	List	Sale
3089Z-131-1424J	12457	1.4" - 2.4"	\$210.00	\$189.00
3089Z-131-26J	12458	2" - 6"	235.00	211.50
3089Z-131-715J	12456	0.7" - 1.5"	210.00	189.00

Micrometer Stand

- Converts outside micrometer to a sturdy bench gage
- Ball joint construction
- Positive lock on the base
- 6-3/8" x 3-1/2"



Cat No.	EDP	Description	List	Sale
3206	68917	Micrometer Stand	\$93.00	\$83.70

Internal Micrometer Bore Gages

- Blind bore measuring capability above 1/2" diameter
- Fitted case, complete with setting ring, contacts & wrenches included
- 3 point ground carbide contact points
- Ratchet stop
- Resolution .00025"



Cat No.	EDP	Range	List	Sale
78XTZ-312	68129	1/4 - 5/16"	\$709.00	\$638.10
78XTZ-375	68130	5/16 - 3/8"	668.00	601.20
78XTZ-500	68131	3/8 - 1/2"	672.00	604.80
78XTZ-625	68132	1/2 - 5/8"	633.00	569.70
78XTZ-750	68133	5/8 - 3/4"	652.00	586.80
78XTZ-1	68134	3/4 - 1"	736.00	662.40
78XTZ-138	67674	1 - 1 3/8"	1,019.00	917.10
78XTZ-2	67675	1-3/8 - 2"	1,041.00	936.90
78XTZ-258	67676	2 - 2-5/8"	1,279.00	1,151.10
78XTZ-314	67677	2-5/8 - 3-1/4"	1,311.00	1,179.90
78XTZ-4	67678	3-1/4 - 4"	1,759.00	1,583.10

Analog Bench Hardness Tester

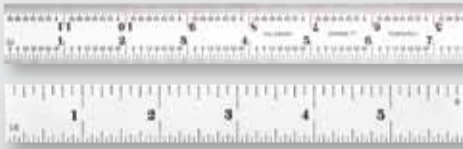
- Tests all types of materials
- Ability to handle Rockwell Scales A through H and K
- High quality casting and ergonomic design
- Conforms to ASTM E-18 standard
- 1/16" (1.6mm) ball indenter, three certified test blocks, four test tables, spot anvil and a standard vee anvil included



Cat No.	EDP	Description	List	Sale
3814	67754	Analog Bench Hardness Tester	\$2,508.00	\$2,257.20

Steel Rules

- Spring tempered
- Satin chrome finish
- Hardened steel
- 4R Graduations - 8ths, 16ths, Quick-Reading 32nds and 64ths Easy to read, sharp graduations
- 6" has single row of numbers
- C604RE-6 has end grads



Cat No.	EDP	Length	List	Sale
C604R-6	52678	6"	\$20.50	\$18.45
C604RE-6	52680	6" with end grads	22.00	19.80
C604R-12	52679	12"	34.00	30.60
C604R-18	52680	18"	66.00	59.40
C604R-24	52681	24"	85.00	76.50

Basic Precision Tool Set



- T436.1XRL-1 1" carbide face outside micrometer
- 120A-6 6" dial caliper
- C604R-6 6" spring tempered rule
- Includes case

Cat No.	EDP	List	Sale
S909Z	65122	\$350.00	\$315.00

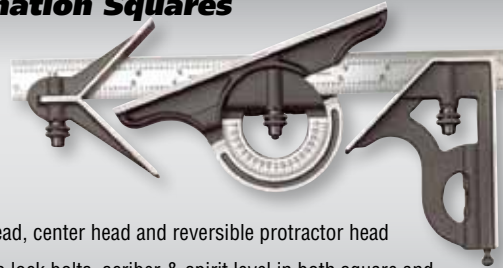
Combination Squares



- Square head
- Reversible lock bolts, scriber & spirit level
- Hardened steel satin chrome blade
- 4R Graduations - 8ths, 16ths, Quick-Reading 32nds and 64ths

Cat No.	EDP	Description	List	Sale
C11H-12-4R	56366	Square with Black Wrinkle Finish	\$82.00	\$73.80
H11-1224	50071	Square Head Only with Black Wrinkle Finish	45.00	40.50

Combination Squares



- Square head, center head and reversible protractor head
- Reversible lock bolts, scriber & spirit level in both square and protractor heads
- Hardened steel satin chrome blade
- 4R Graduations - 8ths, 16ths, Quick-Reading 32nds and 64ths

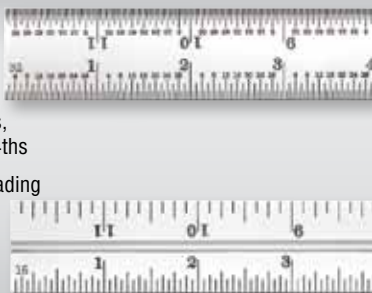
Cat No.	EDP	Description	List	Sale
C434-12-4R	51548	Square with Smooth Black Enamel Finish	\$256.00	\$230.40
C435-12-4R	66682	Square with Black Wrinkle Finish	205.00	184.50

Blades for Combination Squares

- Hardened steel
- Satin chrome finish

Grads

- 4R Graduations - 8ths, 16ths, Quick-Reading 32nds and 64ths
- 16R Graduations - Quick-Reading 32nds, 64ths, Aircraft Quick-Reading 50ths, 100ths



Cat No.	EDP	Description	List	Sale
CB12-16R	50087	12", 16R graduations	\$58.00	\$52.20
CB12-4R	50084	12", 4R graduations	41.50	37.35
CB18-16R	50091	18", 16R graduations	92.00	82.80
CB18-4R	50089	18", 4R graduations	81.00	72.90
CB24-16R	50096	24", 16R graduations	112.00	100.80
CB24-4R	50093	24", 4R graduations	100.00	90.00

Squares

- Toolmakers' grade
- Hardened, ground and lapped stainless steel construction
- The beam is machined at the inner corner for clearance of burr or dirt



Cat No.	EDP	Description	List	Sale
3020-3	12225	3"	\$70.00	\$63.00
3020-6	12227	6"	128.00	115.20
3020-12	12228	12"	263.00	236.70
S3020Z	12229	One each of 3", 4", 6", and 12" in case	563.00	506.70

Starrett®

Inspection Scopes

- 2.5" full color LCD screen displays live video
- Dual solid state LED illumination
- Three light intensity settings
- Full color image sensor
- Water resistant shaft



While Supplies Last!

Cat No.	EDP	Description	List	Sale
679-3	60360	3' Inspection Scope with case	\$400.00	\$320.99
679-6	60361	6' Inspection Scope with case	450.00	395.00

Machinists' Levels

- Cast iron base, precision-machined on reference surfaces with black wrinkle finish on non-machined surfaces
- Groove running the length of the base for round work
- Ground and graduated vials housed in a satin chrome finished brass tube
- Capable of leveling in both directions



Cat No.	EDP	Description	List	Sale
98-6	50441	6" (150mm) with Cross Test Vial	\$107.00	\$96.30
98-8	50442	8" (200mm) with Cross Test Vial	132.00	118.80
98-12	50443	12" (300mm) with Single Ground Plumb and Cross Test Vials	186.00	167.40

GageMux & Accessories

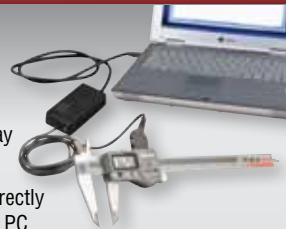
- 4 input ports
- Plug and play set-up
- Footswitch input
- USB, RS232 and keyboard output compatible
- Includes USB cable and 110V AC power supply



Cat No.	EDP	Description	List	Sale
7612	69886	GageMux USB, RS232 & keyboard output	\$659.00	\$593.11
7613	69885	GageMux USB & RS232 output	548.00	493.20
795SCM	69892	Cable for 795 Micrometer	138.00	124.20
733SCM	69893	Cable for 733 Mic & 2600 Indicators	134.00	120.60
798SCM	69894	Cable for 798 Caliper	214.00	192.60
797SCM	69895	Cable for 797 Caliper	196.00	176.40
PT26546	69896	Cable for 2700 Indicators	149.00	134.11
7612FTS	69905	Industrial Foot Switch with 6' Cable	86.00	\$77.40
7612PS	69899	220/50 External Power Supply	88.00	\$79.20

SmartCable™

- USB, RS232 and
- Optional keyboard output
- Plug and play set-up
- Connects directly from tool to PC



Cat No.	EDP	Description	List	Sale
795SCKB	69887	SmartCable™ w/ USB Keyboard for 795 Micrometer	\$199.00	\$179.11
733SCKB	69888	SmartCable™ w/ USB Keyboard for 733 Micrometer & 2600 Indicators	199.00	179.11
798SCKB	69889	SmartCable™ w/ USB Keyboard for 798 Caliper	199.00	179.11
797SCKB	69890	SmartCable™ w/ USB Keyboard for 797 Caliper	199.00	179.11
2700SCKB	69891	SmartCable™ w/ USB Keyboard for 2700 Indicators	199.00	179.11
795SCU	69897	SmartCable™ for 795 Micrometer	199.00	179.11
733SCU	69898	SmartCable™ for 733 Micrometer & 2600 Indicators	199.00	179.11

Hole Gages

- Well balanced full-ball gages
- Hardened measuring surface with two-point contact
- Smooth, sensitive adjustment for improved accuracy
- Safety stop prevents breakage



Cat No.	EDP	Description	List	Sale
S829EZ	53074	.125-.200" (3.2-5.1mm)	\$127.00	\$114.30
		.200-.300" (5.1-7.6mm)		
		.300-.400" (7.6-10.2mm)		
		.400-.500" (10.2-12.7mm)		
		Set of all 4 in Case		

Edge Finders

- Finds work surfaces quickly and accurately
- Tool steel, hardened, ground and lapped to close tolerances for diameter and concentricity



Cat No.	EDP	Description	List	Sale
827A	53062	Single end contact with a .200" diameter	\$22.00	\$19.80
827B	53063	Double .200" and pointed contact	25.50	22.95

Automatic Center Punch

- Internal mechanism strikes when downward pressure is applied
- Adjustable knurled cap regulates the force impact
- Spring tension is constant so marks made by the point are uniform in depth and size



Cat No.	EDP	Material	Length	Diameter	List	Sale
18A	50120	All steel	5" (125mm)	9/16" (14mm)	\$34.50	\$31.05
18C	56757	Heavy Duty All steel	5-1/4" (130mm)	11/16" (17mm)	41.50	37.35

Automatic Center Punch

- Internal mechanism strikes when downward pressure is applied
- Adjustable knurled cap regulates the force impact
- Spring tension is constant so marks made by the point are uniform in depth and size
- Hardened tool steel working parts and aluminum case



Cat No.	EDP	Case	Length	Diameter	List	Sale
818	53048	Aluminum	5" (125mm)	5/8" (16mm)	\$30.50	\$27.45

Center Punch Set

- Hardened, tempered steel
- Knurled finger grip
- The points are ground at an angle
- Tips are accurately centered
- Round shanks



Cat No.	EDP	Description	List	Sale
S117PC	50488	Set of 5 punches in plastic pouch	\$32.00	\$28.80

Drive Pin Punches

- Hardened, tempered steel
- 8" long
- Knurled finger grip



Cat No.	EDP	Description	List	Sale
248A	51181	1/8" (3mm) Dia.	\$6.50	\$5.85
248B	51182	3/16" (5mm) Dia.	6.50	5.85
248C	51183	1/4" (6mm) Dia.	6.50	5.85
248D	51184	5/16" (8mm) Dia.	6.50	5.85
248E	51185	3/8" (9.5mm) Dia.	6.50	5.85

Drive Pin Punches

- Solid brass
- Ideal for softer applications
- 4" long
- Knurled finger grip



Cat No.	EDP	Description	List	Sale
B565A	12465	1/16" (1.5mm) Dia.	\$5.00	\$4.50
B565B	12466	3/32" (2.5mm) Dia.	5.00	4.50
B565C	12467	1/8" (3mm) Dia.	5.00	4.50
B565D	12468	5/32" (4mm) Dia.	5.00	4.50
B565E	12469	3/16" (5mm) Dia.	5.00	4.50
B565F	12470	7/32" (5.5mm) Dia.	5.00	4.50
B565G	12471	1/4" (6mm) Dia.	5.00	4.50
B565H	12472	5/16" (8mm) Dia.	5.00	4.50
SB565Z	12473	Set of 8 B565A/B/C/D/E/F/G/H in Protective Fabric Pouch	43.50	39.15

Tap Wrenches

- Tempered gripping surfaces
- Capable of holding square or round shanks
- Plunger operated by knurled sleeve – the spring inside the sleeve causes plunger to back off when pressure is removed



Cat No.	EDP	Description	List	Sale
91A	50419	1/16"-1/4"	\$41.00	\$36.90
91B	50420	3/16"-1/2"	60.00	54.00
91C	50421	1/4"-5/8"	97.00	87.30

Starrett

Pin Gage Sets

- Color coded, fully adjustable Go/No-Go gage handle
- Inspection certificate with each set
- Manufactured to a 0.0002" tolerance
- 0.001" increments
- Each pin is centerless lapped and marked with size
- 2" long, and hardened to RC 60/64



Cat No.	EDP	Range	No. of Gages	List	Sale
S4000-060	67480	.011-.060" (+)	50	\$69.00	\$58.65
S4001-060	67481	.011-.060" (-)	50	69.00	58.65
S4002-250	67482	.061-.250" (+)	190	153.00	130.05
S4003-250	67483	.061-.250" (-)	190	153.00	130.05
S4004-500	67484	.251-.500" (+)	250	232.00	197.20
S4005-500	67485	.251-.500" (-)	250	232.00	197.20
S4006-625	67486	.501-.625" (+)	125	268.00	227.80
S4007-625	67487	.501-.625" (-)	125	268.00	227.80

Screw Pitch Gages

- Substantial steel case with folding leaves
- Locking device securely locks leaves in position
- Leaves feature a narrow design for checking internal and external threads



Cat No.	EDP	Description	List	Sale
6	50035	With locking device and 11-1/2 and 27 pipe	\$34.50	\$31.05
472	52484	thread pitches	66.00	59.40
474	52486		35.00	31.50
156M	50589	With locking device	37.00	33.30
159M	50591	With locking device and 60° center gage	46.00	41.40

Radius Gages

- Five gaging surfaces for convex or concave radii
- Satin finished stainless steel with clear radius markings



Cat No.	EDP	Description	List	Sale
S167CHZ	50619	Radius Gage Set with 4" long holder, 25 gages, Range: 1/64 - 17/64", 64ths	\$149.00	\$134.10

Radius Gages

- Lay out and check tools, dies, patterns, etc.
- Leaves for both concave and convex radii
- Nicely finished, high quality steel



Cat No.	EDP	Description	List	Sale
178A	50664	Radius or Fillet Gage with locking device, 30 leaves, Range: 1/32 - 1/4", 64ths	\$62.00	\$55.80

Thickness Gages

- Locking device
- .0015 - .025"
- Steel case protects leaves
- Removable and replaceable leaves



Cat No.	EDP	Description	List	Sale
66	50314	.0015 - .025" with straight leaves	\$51.00	\$45.90
66T	50315	.0015 - .025" with tapered leaves	58.00	52.20
66MA	55974	0.05 - 1.0mm with straight leaves	51.00	45.90

Telescoping Gages

- Automatic self-centering handle
- Constant spring tension for contact pressure
- One rigid and one spring-tensioned telescoping contact arm



Cat No.	EDP	Description	List	Sale
S229GZ	50929	5 Piece set	\$187.00	\$168.30

Taper Gage

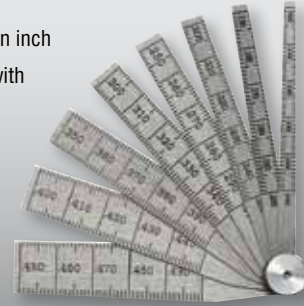
- One side graduated from .010" to .150" in thousandths of an inch; reverse from 0.3mm to 4mm in 0.05mm
- Constructed of quality tool steel and accurately tapered throughout entire length
- 7/16" (11mm) wide by 6-1/4" (160mm) long
- Can be used as a precision shim



Cat No.	EDP	Description	List	Sale
270	51292	.010-.150" / 0.3-4mm	\$99.00	\$89.10

Taper Gage

- These gages are for determining hole sizes in dies and all kinds of other work
- Fast and accurate hole sizing
- Graduated in thousandths of an inch
- Tempered steel construction with locking device
- 2-1/2" length
- 8 leaves



Cat No.	EDP	Description	List	Sale
269A	51290	Range of .100-.500" read in thousandths	\$117.00	\$105.30

Jack Screws

- Very handy for leveling work on planer beds, upright drills, setting up machinery, and for general use in the toolroom or machine shop
- 2-1/4 3-3/8 (57-85mm) range
- Complete set with jack, four extension bases and two adjusting screws



Cat No.	EDP	Description	List	Sale
S190	50680	Set complete with all attachments	\$51.00	\$45.90

Steel Straight Edges

- Precision ground
- Beveled one edge
- Not graduated



Cat No.	EDP	Description	List	Sale
385-12	51455	12"	\$57.00	\$51.30
385-18	51456	18"	74.00	66.60
385-24	51457	24"	134.00	120.60

Protractor

- Takes error-prone calculations out of miter cuts
- Upside down or backwards, the reading is always correct
- Scale shows angle for a miter joint and single cut
- Saves time and reduces waste
- Ideal for all building trades



Cat No.	EDP	Description	List	Sale
505A-12	67752	12" protractor	\$60.00	\$54.00
505A-7	11677	7" protractor	49.50	44.55

Combination Protractor

- Performs all of the 505A-12 functions
- Compound cut conversion chart
- Ideal for precise crown molding cuts
- Roof pitch chart



Cat No.	EDP	Description	List	Sale
CP505A-12	12256	12" protractor	\$99.00	\$89.10

Starrett®



Starrett®

Prices in U.S. Dollars
Sale Prices Valid September 1 - December 31, 2011

starrett.com
Promo 11.2 75M/Q 08/11